

### APPLICATION

Static Earthing Reels are used for the controlled discharge of undesirable static electricity during the transfer of flammable liquids on road tankers, terminal & depot and in pumping applications.

### FEATURES

- All cast aluminium robust construction including handle.
- Primary continuity achieved by brass bush and stainless steel shaft.
- Positive contact is maintained by a spring loaded thrust washer.
- 20 metres of stainless steel plastic coated cable complete with heavy duty clamp.
- Locking version available particularly for transport applications where vibration and unwinding of reels are common.
- Meets AS/NZS 1020/1995.
- Optional Heavy Duty cable - orange (Aviation Standard).



SER-150



SER-150L (LOCKING VERSION)

### ASSOCIATED EQUIPMENT

M402W-4.0	Earthing Cable (SD) blue - per metre
R533554-800	Earthing Clamp
B1054-300	Earthing Cable (HD) orange - per metre

### PRODUCT IDENTIFICATION

SER-150	Static Earthing Reel
SER-150L	Static Earthing Reel (Locking Version)
SER-150S	Static Earthing Reel (Shaft mounted - no cable or clamp)



SER-150S

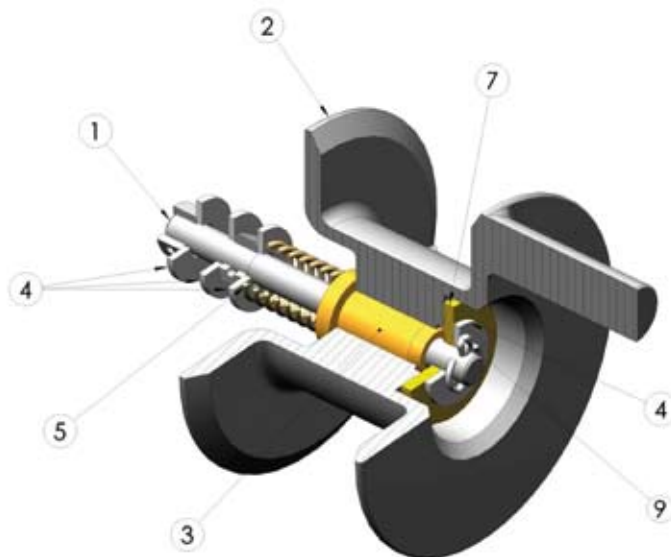
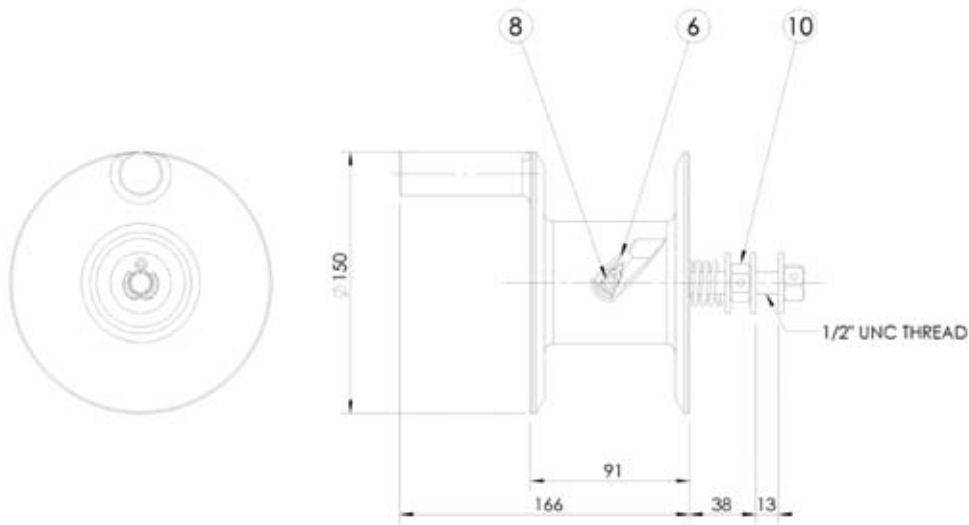
# SER-150, SER-150L & SER-150S



## STATIC EARTHING REEL

Page 2 of 2

TANK TRUCK EQUIPMENT



ITEM NO.	DESCRIPTION	PART NO.	QTY	MATERIAL
1	MAIN SHAFT - SHAFT MT SER-150S	R013840-130	1	STAINLESS STEEL
2	REEL HUB SER-150	R013590-002	1	ALUMINIUM
3	BUSH SER-150	R013553-110	1	BRASS
4	WASHER FLAT 13ID X 36.7OD SST	R540125-502	5	STAINLESS STEEL
5	SPRING MAIN 1AN-32, 190-32	R200136-400	1	STAINLESS STEEL
6	CRIMP LUG 4MM WIRE 6MM STUD	R533553-800	1	STAINLESS STEEL
7	HUB WASHER SER-150	R013555-110	1	BRASS
8	SCREW HEX 1/4UNC X 1/2 GR304	R502092-502	1	STAINLESS STEEL
9	PIN SPLIT 4MM DIA X 2 SST 304	R543100-502	1	STAINLESS STEEL
10	NUT HEX 1/2 BSW GR316	R500439-503	2	STAINLESS STEEL

[www.treloar.com.au](http://www.treloar.com.au)

HEAD OFFICE

25 - 33 Gardiner Street, Rutherford NSW 2320 Australia

PHONE +61 2 4932 7055

MELBOURNE WAREHOUSE

144 Hall Street, Newport VIC 3015 Australia

FAX +61 2 4934 2013

03/08/2007

