

***FACET'S NEW 21 & 22 SERIES HOUSINGS  
WITH EASY TO USE THRU-BOLT CLOSURE***



Facet's new and improved multi-purpose housing replaces the previous housings in form, fit, and function. We have eliminated the V-band closure and replaced it with a thru-bolt closure for reliability and ease of replacing elements.

The new housings also offer as an option additional improvements such as a pop-up differential pressure indicator or an electrical differential pressure switch.

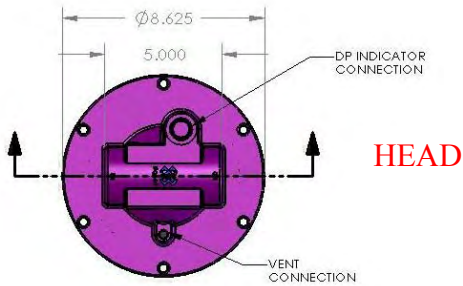
As in the past, these diverse housings can be used as Filter/Separator, Monitor, or Micronic Filter for flow rates ranging from 1 to 60 GPM.

**STANDARD HOUSING DESIGN**

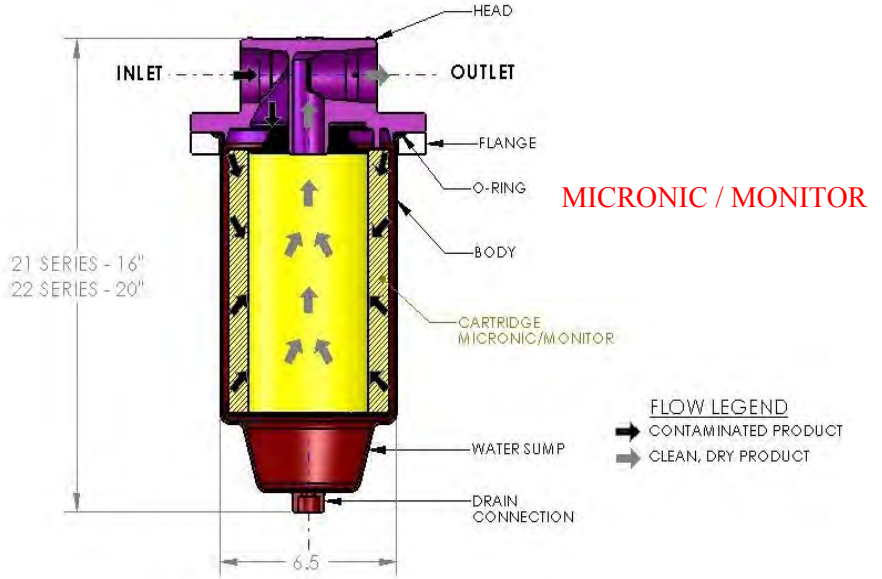
- **Body:** Carbon steel
- **Interior and exterior:** Epoxy coated
- **Head:** Anodized die cast aluminum
- **Design pressure:** 150 psi (1034 kPa)
- **Closure:** Thru bolts
- **Closure seal:** Buna-N o-ring
- **Vent and drain connections with brass petcocks**
- **Inlet and outlet connections:** 1½" NPT

**OPTIONS**



- **Sight glass with ball (water indicator)**  
(used on filter separators only)
- **Pop up ΔP indicator**  
15 psi on Filter Separator & Micronic Filter Vessels  
25 psi on Monitor Vessels
- **Electrical ΔP switch available in 15, 25 & 35 psi**

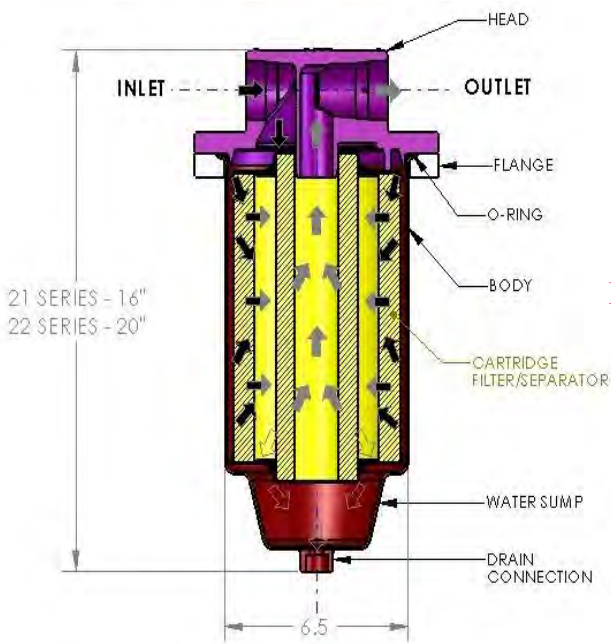


**HEAD**



**MICRONIC / MONITOR**

**FLOW LEGEND**  
 CONTAMINATED PRODUCT  
 CLEAN, DRY PRODUCT



**FILTER SEPARATOR**

**FLOW LEGEND**  
 CONTAMINATED PRODUCT  
 SOLIDS FREE PRODUCT  
 COALESCED LIQUID DROPLETS  
 CLEAN, DRY PRODUCT

**PERFORMANCE SPECIFICATION**

HOUSING	ELEMENT TYPE	MAXIMUM FLOW RATE		RECOMMENDED CHANGE OUT (PSI)
		JET FUEL	AVGAS	
SERIES 21	FILTER/SEPARATOR	35	45	15
	MONITOR	35	45	25
	MICRONIC	45	45	15
SERIES 22	FILTER/SEPARATOR	50	60	15
	MONITOR	50	60	25
	MICRONIC	60	60	15